

# S-DCR HEADSET NEW



**HEADSET MODEL:** INTEGRATED 1.5" - 1.5"

**BEARINGS TYPE:** ANGULAR CONTACT BEARING; CHROME STEEL

**BEARINGS SIZE:** UPPER 51,9X40X8MM; LOWER 51,9X40X8MM

**CONTACT ANGLE:** 45° X 45°

**HEADTUBE:** Ø 56.0MM

**FORK STEERER:** TAPERED 1 1/8" (28.6MM) - 1.5" (38.10MM)

**TOP COVER:** Ø 56MM

**CROWN RACE:** Ø 39.8MM ALUMINUM

**STACK HEIGHT:** 16MM

**WEIGHT:** 90G

**NOTE:** COMPATIBLE WITH 4 CABLES ROUTING.

DEDA HSS SPACERS ARE RECOMMENDED FOR S-DCR HEADSET.

**SRP:** 60 eur (+ vat)



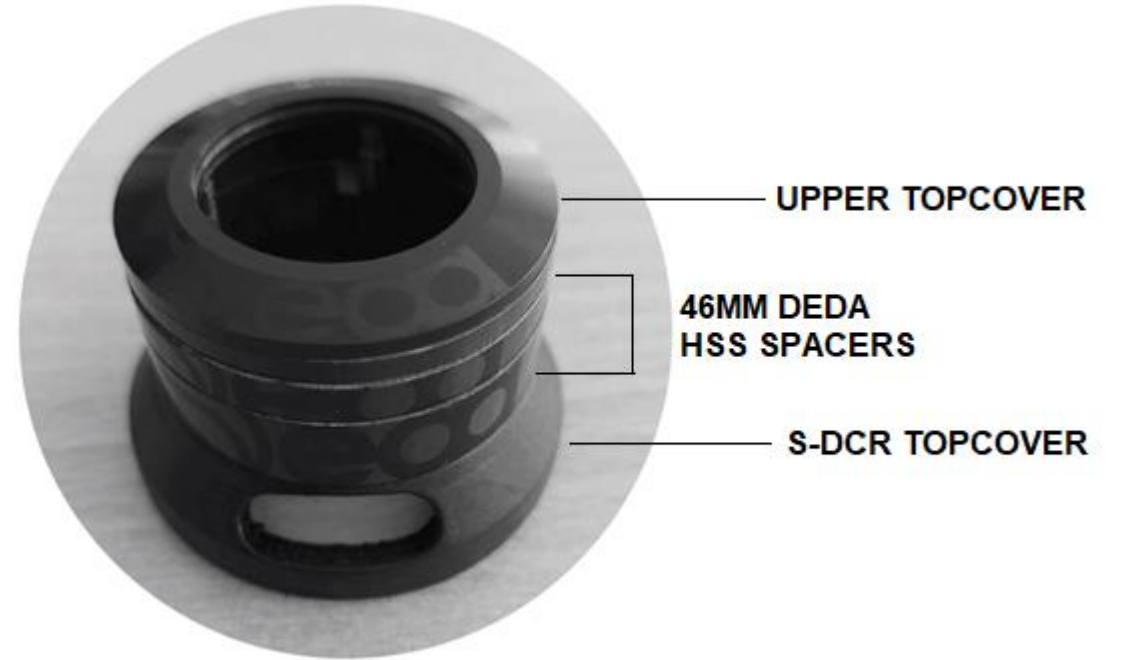
# S-DCR HEADSET NEW



**Configuration with  
Deda HSS spacers**



**Configuration with  
standard spacers**



UPPER TOPCOVER

46MM DEDA  
HSS SPACERS

S-DCR TOPCOVER



# S-DCR HEADSET NEW

