

SUPERZERO RS NEW



SHAPE: RHM-EVO

MATERIAL: UD CARBON FIBER

Ø HANDLEBAR: 31,7 MM

REACH: 75 MM

DROP: 120 MM

WIDTH: 40 – 42 – 44 – 46 CM

WEIGHT: 215 G (44 CM)

FINISH: POLISH ON BLACK (POB)

NOTE: DCR SYSTEM UP TO 4 CABLES; COMPATIBLE WITH ALL DEDA EXTENSIONS.

SRP: 280 eur (+ vat)

Deda
ELEMENTI



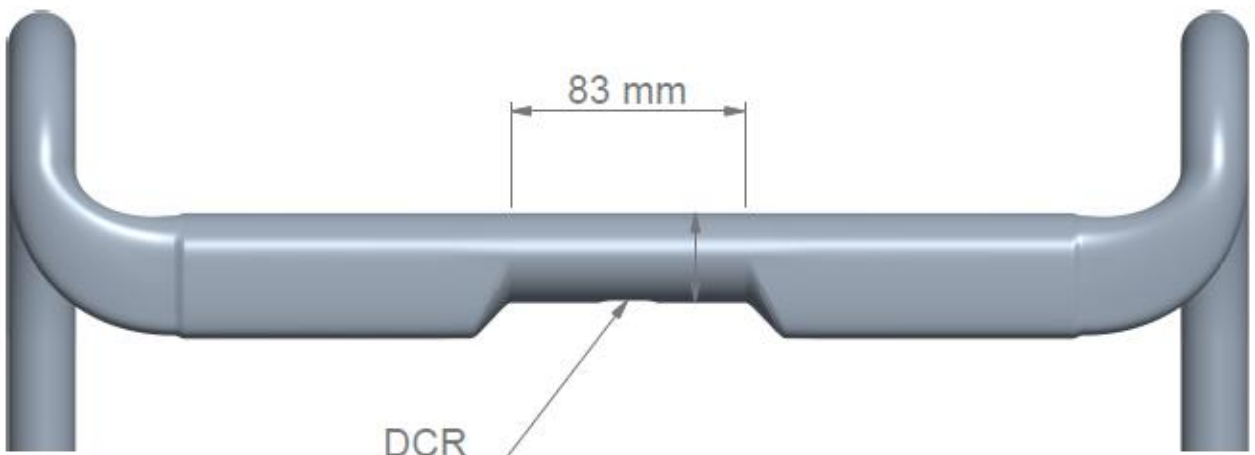
400 - 420 - 440 - 460 mm



120 mm

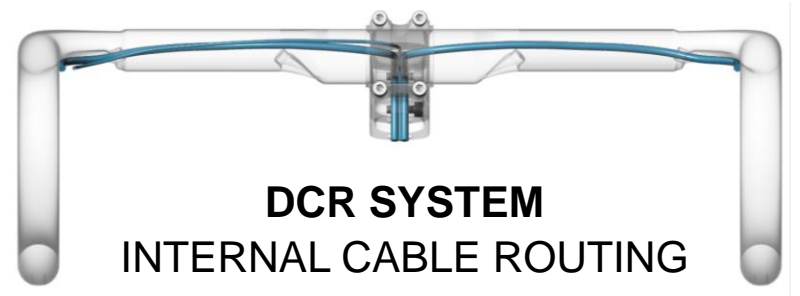
RHM-EVO

83 mm

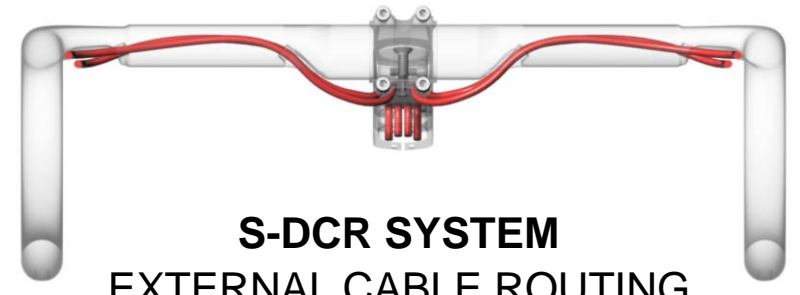


DCR

SUPERZERO RS NEW



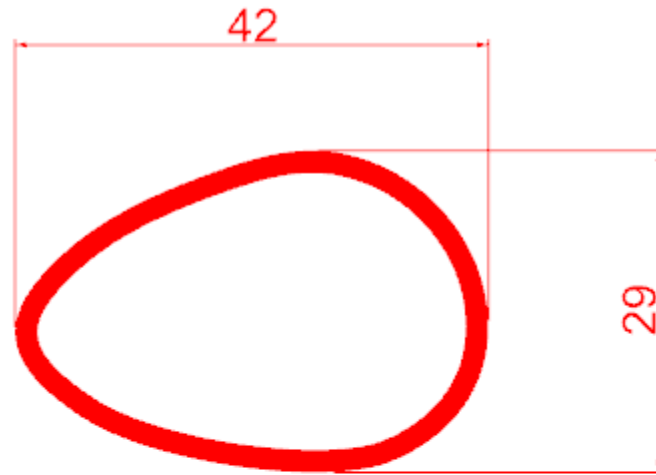
DCR SYSTEM
INTERNAL CABLE ROUTING



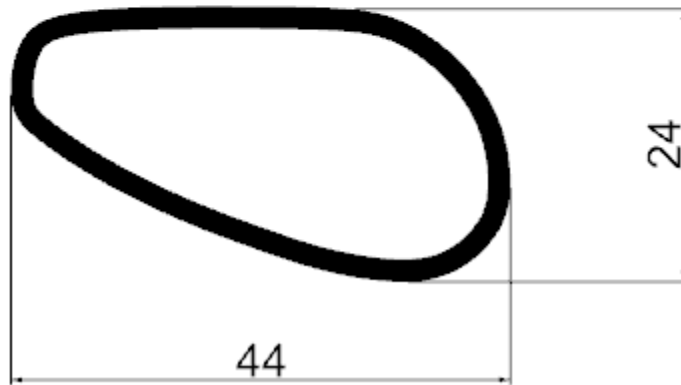
S-DCR SYSTEM
EXTERNAL CABLE ROUTING



SUPERZERO RS NEW



SUPERZERO



SUPERZERO RS

Advantages:

- More aero
- Lighter
- Better ergonomoy



SUPERZERO RS NEW



aero topcap included

MATERIAL: ALLOY 2014

SCREWS: TITANIUM, BLACK PVD FINISH

ANGLE: 82°

Ø HANDLEBAR: 31,7 MM

FORK STEERER: 1 1/8" (28,6MM)

CLAMP HEIGHT: 36MM

SIZES: 90 - 100 - 110 - 120 – 130 MM

WEIGHT: 140 G (110 MM)

FINISH: POLISH ON BLACK (POB)

INCLUDED ACCESSORIES: TOPCAP WITH ALLOY SCREW

SRP: 145 eur (+ vat)

Deda
ELEMENTI

